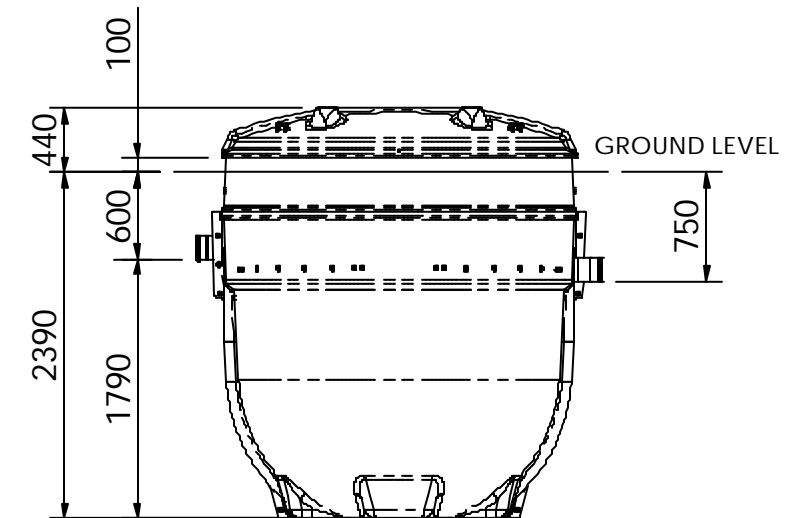


NOTES

1. ALL INLET AND OUTLET PIPEWORK TO BE 6" PVCu.
2. OVERALL DIMENSIONS ONLY GIVEN.
3. UNIT MUST BE SLUNG IN POSITIONS SHOWN.



Title :  
**BH - BL BIODISC  
 GENERAL ARRANGEMENT**

DWG No. : DS0721

Environmental Treatment Systems Limited  
 reserve the right to alter the details  
 of this drawing without prior notice.

Tolerance : ±10mm      Drawn By : RMT

Issue : A                      Date : 06.10.04

Please check with Environmental Treatment  
 Systems Limited that this drawing is the latest issue.

Revised By :                      All dimension in MM

Date :                                  Scale at A3 :1:50

**Klargester**  
 Treatment Systems

College Road North, Aston Clinton,  
 Aylesbury, Bucks, HP22 5EW  
 Tel: 01296 633000