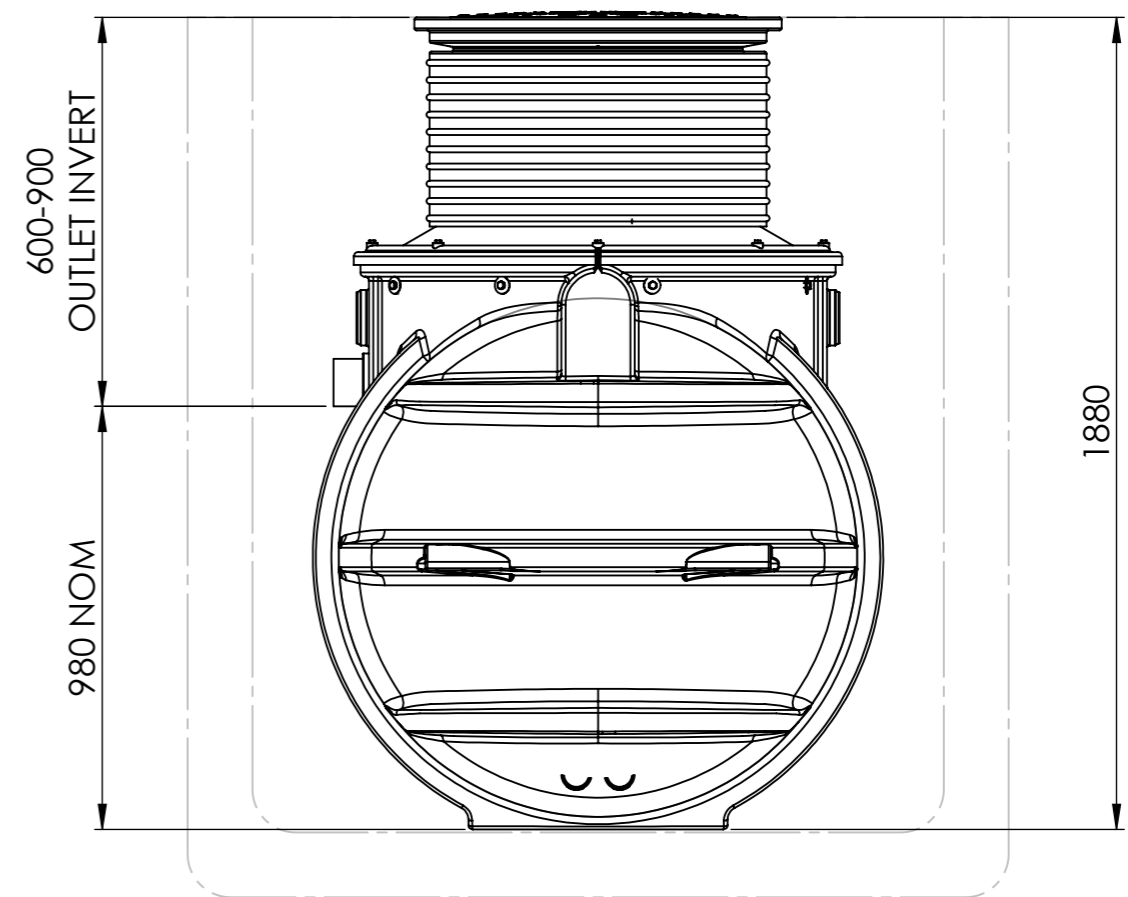
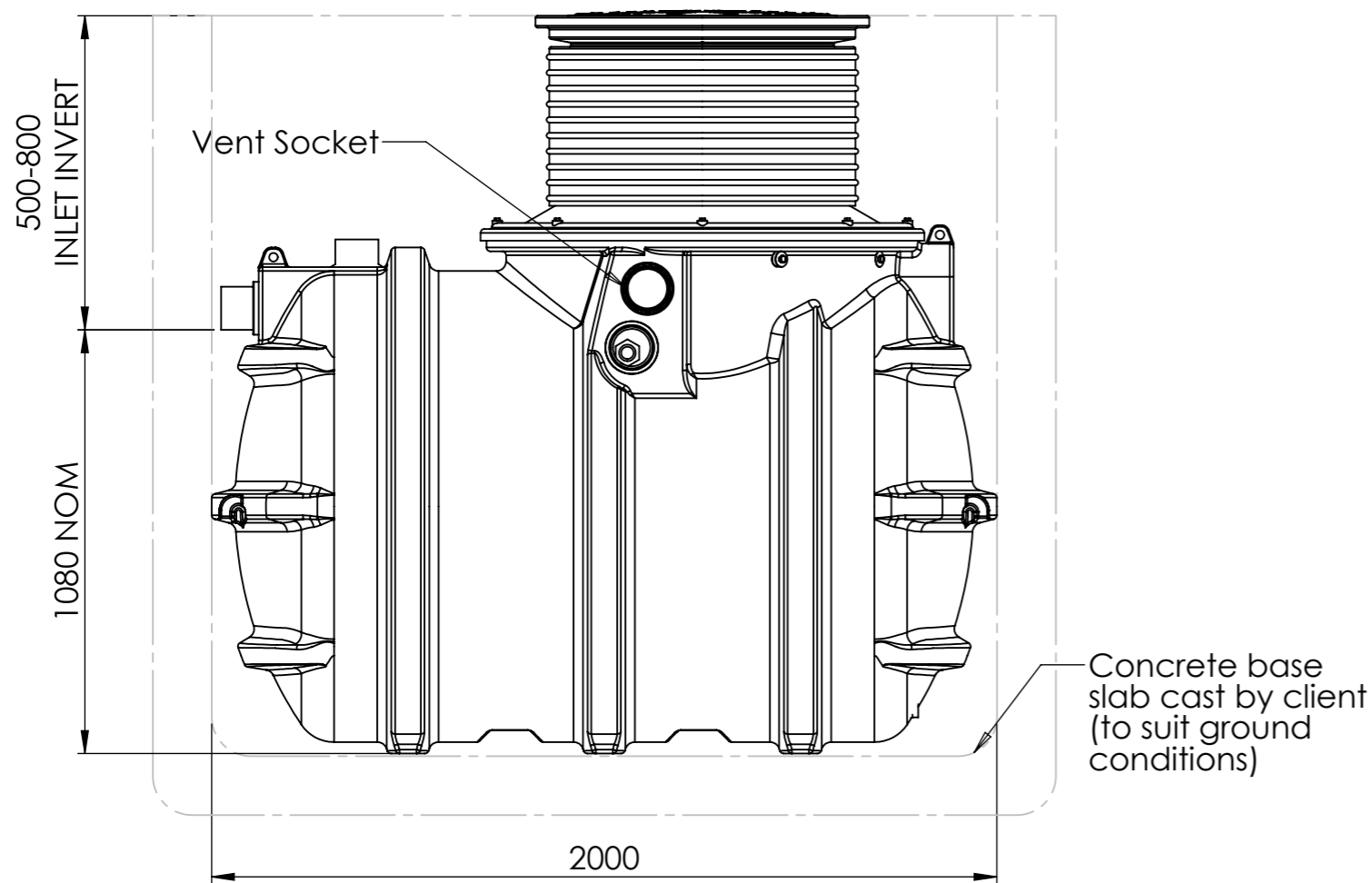
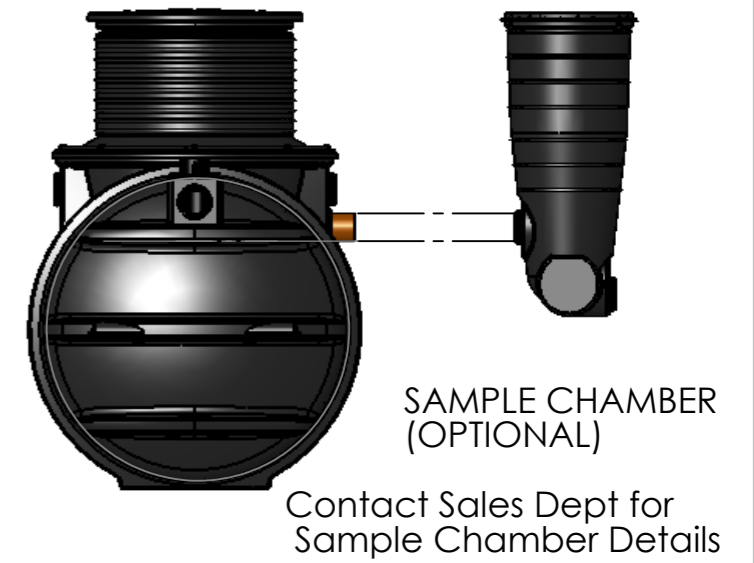


Notes :

- INLET/OUTLET are Ø110 mm. Suitable reducers should be used to step down from bigger pipework. Supplied by others. Tanks available with left and right exit outlets.
- Units invert is adjustable by moving internal riser to required height. Selection of correct invert is key and must be suitable for drainage and ground levels on site.
- Ext neck kit available for deeper inverts up to a maximum invert of 1500 mm.
- It is important to read and understand installation operation and maintenance guidelines before attempting to install this unit.
- Vent pipe connections are supplied but vent runs and stacks are supplied by others.
- The unit will normally need to be sludged annually. However this is dependant on use.



Please check with Kingspan Environmental that this drawing is the latest issue

Issue	Date	Drawn by	Approved by	Description
01	11/07/12	S. Gill		Initial Release

Material : PE	Tolerance :
Finish :	Thickness :
Weight : Kgs	Surface Area :

Drawing : DS1195	Page 1 of 1
BIOPURA 4 Sales Drawing Assembly	

All dimensions in mm

Scale: Not to scale

Kingspan Environmental reserve the right to alter the details of this drawing without prior notice. This drawing is copyright and may not be reproduced or used without the written permission of Kingspan Environmental.

