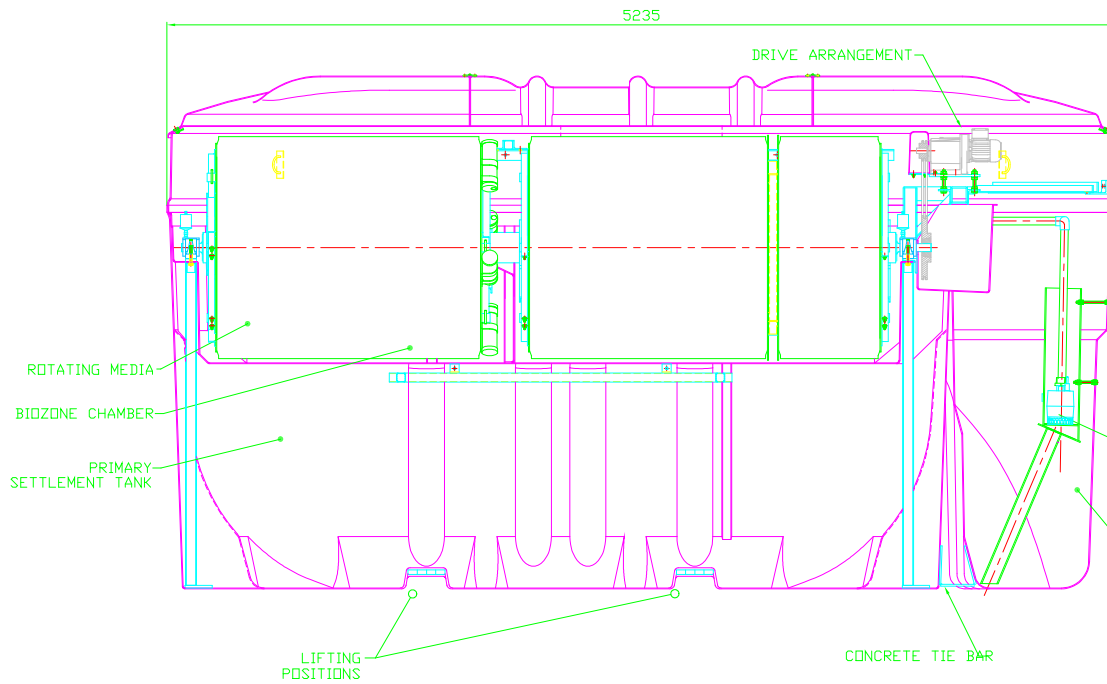


PLAN VIEW WITH TOP COVER REMOVED

NOTES

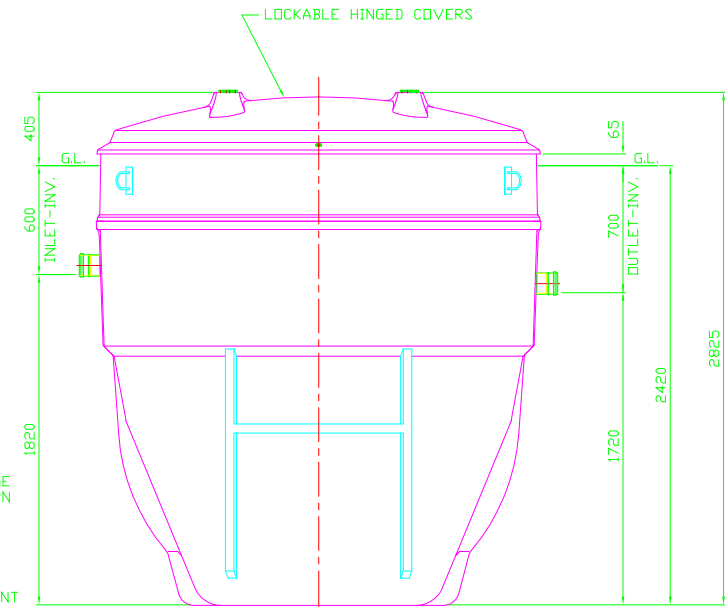
1. BIDDISC TANK AND COVER ARE MANUFACTURED IN GLASS REINFORCED POLYESTER (G.R.P.). COVER IS FINISHED IN GREEN TO B.S.4800 TINT 12B:25
2. ELECTRICAL SUPPLY: 240 VOLTS, 2amps, SINGLE PHASE (THREE PHASE OPTIONAL) CONTROL PANEL SUPPLIED.
3. BIDDISC MUST BE LIFTED BY THE LIFTING POSITIONS PROVIDED.
4. FOR INSTALLATION, MAINTENANCE AND DESLUDGE DETAILS REFER TO PROCEDURE DOCUMENTS SUPPLIED WITH UNIT.
5. THIS DRAWING IS AVAILABLE ON OUR WEBSITE [www.klargester.com](http://www.klargester.com)



COVER, TOP SECTION, BASE & BIOZONE TANK SECTIONED ON CENTRE LINE FOR CLARITY.

APPROX. DRY WEIGHT 1660 Kg

SLUDGE RETURN OMITTED FOR CLARITY



END ELEVATION

10	07.11.05	SnP	CC306 - (Note added - "...available on our website...")
9	08.06.04	A.L.	DE-SLUDGE & DE-SCUM ASSY / PUMP ASSY MODIFIED
8	18.09.03	A.L.	BORDER UPDATED
7	13.9.98	J.A.H.	CENTRAL DRIVE
6	25.3.97	R.M.T.	PICTORIALLY UPDATED
5	30.7.96	S.T.	FALL CHANGED TO 100mm
4	11.7.96	S.A.W.	PICTORIALLY UPDATED
3	2.7.96	S.A.W.	PICTORIALLY UPDATED
2	29.5.96	S.A.W.	DRIVE ARRANGEMENT UPDATED, STEEL CHANGED
1	25.3.96	S.A.W.	INITIAL ISSUE
ISSUE	DATE	DRAWN	MODIFICATION

ALL DIMENSIONS ARE IN MILLIMETRES - DO NOT SCALE



Klargester Environmental  
College Road North, Aston Clinton,  
Aylesbury, Bucks. HP22 5EW.  
Tel:- 01296 633000  
[www.klargester.com](http://www.klargester.com)

TITLE	
BG BIDDISC GENERAL DIMENSIONS	
SCALE	SHEET SIZE
1:15	A1
DRAWING No.	ISSUE
DS0499	10

This drawing is copyright and may not be reproduced or used without the written permission of Klargester Environmental. KLARGESTER RESERVE THE RIGHT TO CHANGE SPECIFICATIONS WITHOUT NOTICE

